

### Thermocouple Type : WMAT-41

**thermoelectric voltages** : Fe-CuNi ½ DIN 43710 (L)  
Fe-CuNi DIN EN 60584, Kl. 1 (J)  
NiCr-Ni DIN EN 60584, Kl. 1 (K)

**sensor tip** : Ø 4 f7 (1.2080 hardened)

**installation depth** : 32 mm incl. thread  
(or to customer)

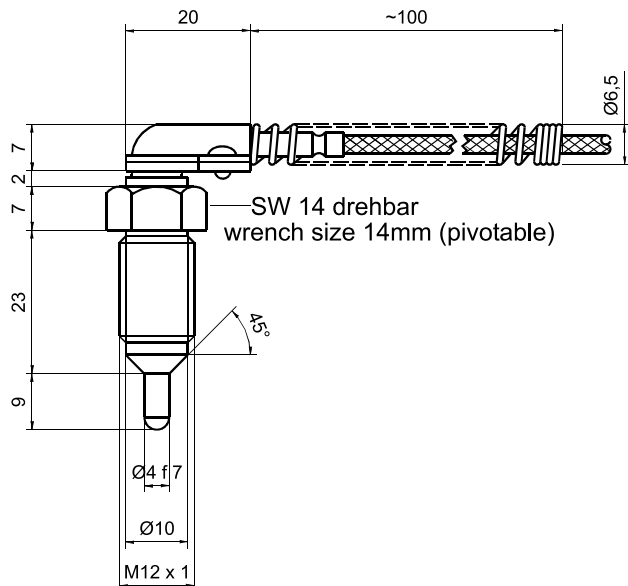
**nipple** : VA 1.4305

**kink protection: spring** : V2A

**controll point** : welded/ hemispherical

**operation temperature** : to max. 400°C

**thermocouple wire** : 2 x 0,35 mm<sup>2</sup>  
fiber glass insulation  
and specially impregnated  
wire mesh from soft galvanized  
iron wires



**Other customer preferences are possible  
Subject to modifications!**

25/03