

Small-Thermocouple
Type : KT-NH 3

thermoelectric voltages : Fe-CuNi ½ DIN 43710 (L)
Fe-CuNi DIN EN 60584, Kl. 1 (J)
NiCr-Ni DIN EN 60584, Kl. 1 (K)

sensor tip : Ø 2 mm (VA)

installation depth : ca. 17 mm incl. thread

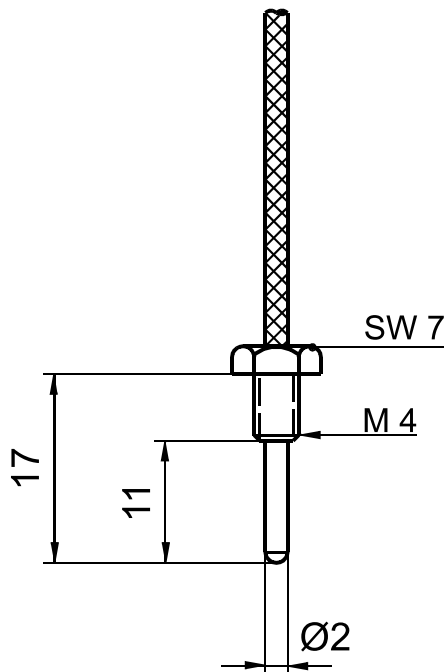
sheath material : 1.4301

nipple : SW 7/ M4 aus Ms58

control point : soldered/ hemispherical

operation temperature : to max. 400°C

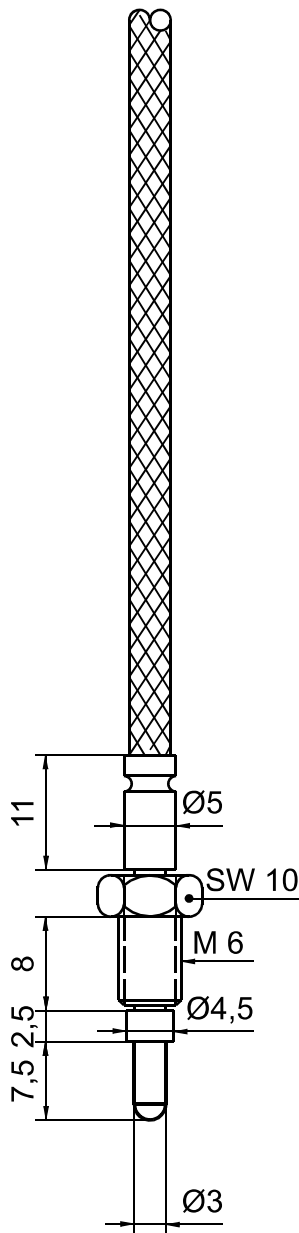
thermocouple wire : 2 x 0,5 mm
jacket with glass fibre and
specially impregnated



Other customer preferences are possible
Subject to modifications!

25/03

Thermocouple
Type : T-NH 25



thermoelectric voltages : Fe-CuNi ½ DIN 43710 (L)
Fe-CuNi DIN EN 60584, Kl. 1 (J)
NiCr-Ni DIN EN 60584, Kl. 1 (K)

sensor tip : Ø 3/ 4,5 mm (VA)

installation depth : ca. 11 to 18 mm incl. thread

nipple : Ms 58 nickel-plated

controll point : soldered/ hemispherical

operation temperature : to max. 400°C

thermocouple wire : 2 x 0,35 mm²
fiber glass insulation
and specially impregnated
wire mesh from soft galvanized
iron wires

Other customer preferences are possible
Subject to modifications!

25/03