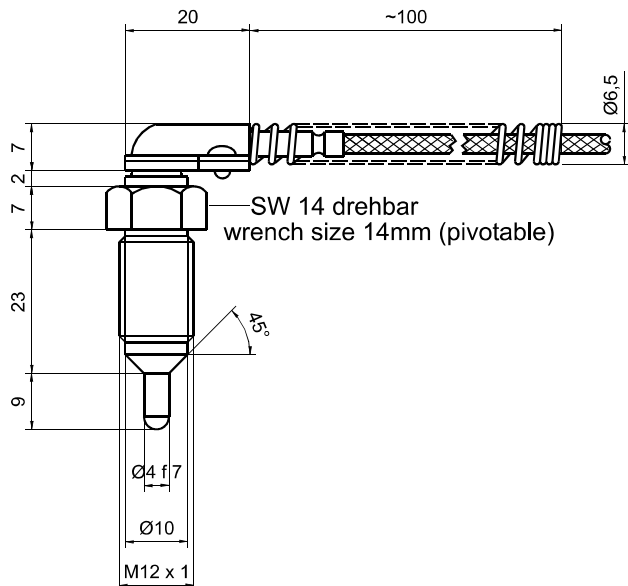


Thermocouple Type : WMAT-41



thermoelectric voltages : Fe-CuNi ½ DIN 43710 (L)
Fe-CuNi DIN EN 60584, Kl. 1 (J)
NiCr-Ni DIN EN 60584, Kl. 1 (K)

sensor tip : Ø 4 f7 (1.2080 hardened)

installation depth : 32 mm incl. thread
(or to customer)

nipple : VA 1.4305

kink protection: spring : V2A

controll point : welded/ hemispherical

operation temperature : to max. 400°C

thermocouple wire : 2 x 0,35 mm²
fiber glass insulation
and specially impregnated
wire mesh from soft galvanized
iron wires

**Other customer preferences are possible
Subject to modifications!**

25/03